

Mechanical Connectors

VERSIPOLE™; Configurable Power Distribution Blocks for Copper and Aluminum



VERSIPOLE™

UL Listed 1953

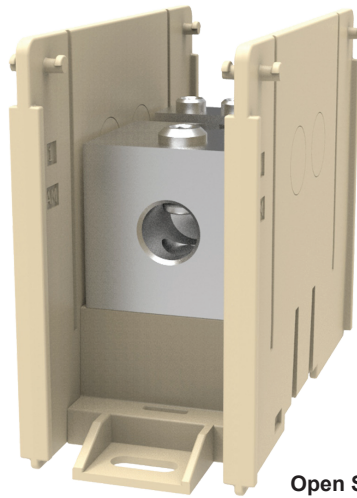
Finger-Safe IEC 60527; IP-20 Rating

The VERSIPOLE™ Configurable Series Power Distribution Blocks are used for splicing and distributing power from primary run(s) to secondary/branch circuits. They are offered in standard one, two, or three pole configurations. Each configuration is available in either an “Open” or “Finger-Safe” style. The configurable series can also be designed to accommodate an infinite number of made-to-order combinations.

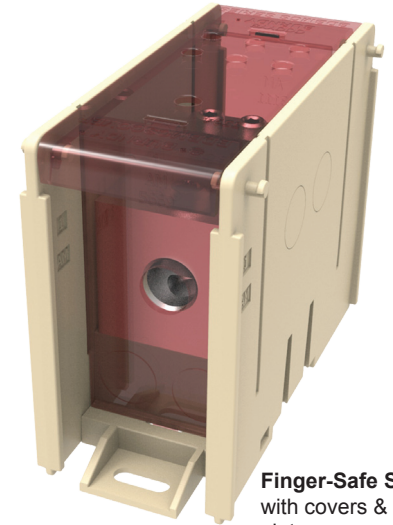
Features & Benefits



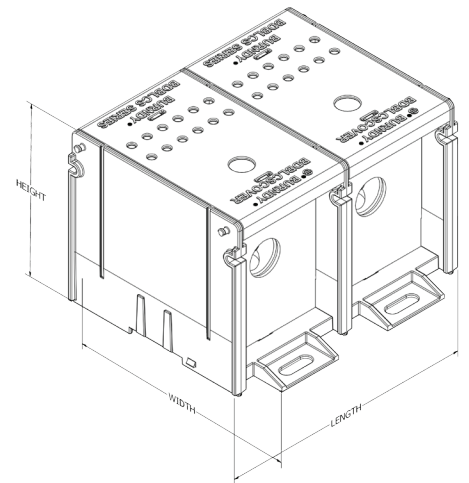
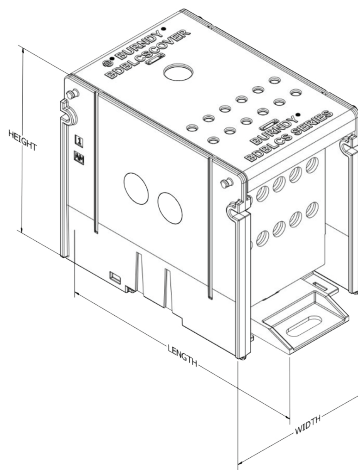
- 1000 Volt rated
- Listed to UL1953
- Rated for use with both code and flex conductor without requiring ferrules
- Available in three sizes for space optimization
- AL9CU dual rated for use with copper and aluminum conductors
- Range taking designs accommodate wire sizes up to 535 DLO and can support 1 or 2 run conductors and up to 12 taps for secondary circuits
- Allow for panel mounting; medium and large sizes also allow for DIN rail mounting
- Finger-Safe style are provided with translucent polycarbonate top covers and end plates to permit easy visual inspection and provide IEC 60529 IP-20 Rating
- High Short-Circuit Current rating up to 100kA with proper fusing
- Bases and side barriers of glass-reinforced nylon 6/6 for extra durability and excellent insulating properties; carry a UL94 flammability rating of V0



Open Style



Finger-Safe Style with covers & end plates



Small Series:

Catalog Number		# of Conductors		Wire Range		# of Poles	Dimensions			Amp Rating per Pole	SCCR ¹
Open Style*	Finger-Safe Style	Run	Tap	Run	Tap		W	D	H		
BDBSCS1C1	BDBSCS1C1FS	1	4	#14 - 2/0	#14 - #4	1	1.34	2.76	5.56	175	100kA
BDBSCS1C2	BDBSCS1C2FS	1	4	#14 - 2/0	#14 - #4	2	2.41	2.76	5.56	175	100kA
BDBSCS1C3	BDBSCS1C3FS	1	4	#14 - 2/0	#14 - #4	3	3.48	2.76	5.56	175	100kA
BDBSCS1CA	-	1	4	#14 - 2/0	#14 - #4	Adder	1.16	2.76	5.56	175	100kA
BDBSCS1P1	BDBSCS1P1FS	1	1	#14 - 2/0	#14 - 2/0	1	1.34	2.76	5.56	175	100kA
BDBSCS1P2	BDBSCS1P2FS	1	1	#14 - 2/0	#14 - 2/0	2	2.41	2.76	5.56	175	100kA
BDBSCS1P3	BDBSCS1P3FS	1	1	#14 - 2/0	#14 - 2/0	3	3.48	2.76	5.56	175	100kA
BDBSCS1PA	-	1	1	#14 - 2/0	#14 - 2/0	Adder	1.16	2.76	5.56	175	100kA

*Optional Hinged Covers available for Open Style 1, 2, and 3 pole configurations (order 1 cover per pole).

¹ with proper fusing

† Passed UL Current Cycling and SCCR testing - UL Listing is pending finalized Mechanical testing

US: 1-800-346-4175 / International: 1-603-647-5299 / Canada: 1-800-387-6487 / www.burndy.com

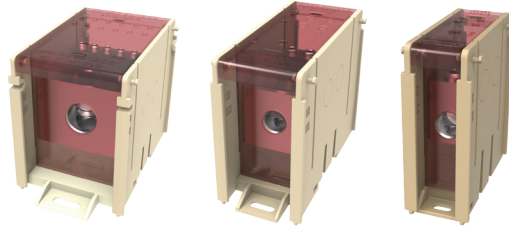
Mechanical Connectors

VERSIPOLE™; Configurable Power Distribution Blocks for Copper and Aluminum



VERSIPOLE™

(Continued)



Finger-Safe Style
with covers & end
plates

Medium Series:

Catalog Number		# of Conductors		Wire Range		# of Poles	Dimensions			Amp Rating per Pole	SCCR ¹
Open Style*	Finger-Safe Style	Run	Tap	Run	Tap		W	D	H		
BDBMCS1F1	BDBMCS1F1FS	1	6	#14 - 2/0	#14 - #2	1	2.09	4.52	3.70	175	100kA
BDBMCS1F2	BDBMCS1F2FS	1	6	#14 - 2/0	#14 - #2	2	3.90	4.52	3.70	175	100kA
BDBMCS1F3	BDBMCS1F3FS	1	6	#14 - 2/0	#14 - #2	3	5.72	4.52	3.70	175	100kA
BDBMCS1FA	-	1	6	#14 - 2/0	#14 - #2	Adder	1.91	4.52	3.70	175	100kA
BDBMCS3U1	BDBMCS3U1FS	1	1	#6 - 350	#6 - 350	1	2.09	4.52	3.70	310	100kA
BDBMCS3U2	BDBMCS3U2FS	1	1	#6 - 350	#6 - 350	2	3.90	4.52	3.70	310	100kA
BDBMCS3U3	BDBMCS3U3FS	1	1	#6 - 350	#6 - 350	3	5.72	4.52	3.70	310	100kA
BDBMCS3UA	-	1	1	#6 - 350	#6 - 350	Adder	1.91	4.52	3.70	310	100kA
BDBMCS2F1	BDBMCS2F1FS	2	6	#14 - 2/0	#14 - #2	1	2.09	4.52	3.70	350	100kA
BDBMCS2F2	BDBMCS2F2FS	2	6	#14 - 2/0	#14 - #2	2	3.90	4.52	3.70	350	100kA
BDBMCS2F3	BDBMCS2F3FS	2	6	#14 - 2/0	#14 - #2	3	5.72	4.52	3.70	350	100kA
BDBMCS2FA	-	2	6	#14 - 2/0	#14 - #2	Adder	1.91	4.52	3.70	350	100kA
BDBMCS2N1	BDBMCS2N1FS	2	2	#14 - 2/0	#14 - 2/0	1	2.09	4.52	3.70	350	100kA
BDBMCS2N2	BDBMCS2N2FS	2	2	#14 - 2/0	#14 - 2/0	2	3.90	4.52	3.70	350	100kA
BDBMCS2N3	BDBMCS2N3FS	2	2	#14 - 2/0	#14 - 2/0	3	5.72	4.52	3.70	350	100kA
BDBMCS2NA	-	2	2	#14 - 2/0	#14 - 2/0	Adder	1.91	4.52	3.70	350	100kA
BDBMCS5F1 †	BDBMCS5F1FS †	1	6	#4 - 500	#14 - #2	1	2.09	4.52	3.70	380	100kA
BDBMCS5F2 †	BDBMCS5F2FS †	1	6	#4 - 500	#14 - #2	2	3.90	4.52	3.70	380	100kA
BDBMCS5F3 †	BDBMCS5F3FS †	1	6	#4 - 500	#14 - #2	3	5.72	4.52	3.70	380	100kA
BDBMCS5FA †	-	1	6	#4 - 500	#14 - #2	Adder	1.91	4.52	3.70	380	100kA
BDBMCS5M1 †	BDBMCS5M1FS †	1	4	#4 - 500	#14 - 2/0	1	2.09	4.52	3.70	380	100kA
BDBMCS5M2 †	BDBMCS5M2FS †	1	4	#4 - 500	#14 - 2/0	2	3.90	4.52	3.70	380	100kA
BDBMCS5M3 †	BDBMCS5M3FS †	1	4	#4 - 500	#14 - 2/0	3	5.72	4.52	3.70	380	100kA
BDBMCS5MA †	-	1	4	#4 - 500	#14 - 2/0	Adder	1.91	4.52	3.70	380	100kA

Large Series:

Catalog Number		# of Conductors		Wire Range		# of Poles	Dimensions			Amp Rating per Pole	SCCR ¹
Open Style*	Finger-Safe Style	Run	Tap	Run	Tap		W	D	H		
BDBLCS3A1	BDBLCS3A1FS	1	12	#6 - 350	#14 - #4	1	3.25	5.54	4.12	310	100kA
BDBLCS3A2	BDBLCS3A2FS	1	12	#6 - 350	#14 - #4	2	6.17	5.54	4.12	310	100kA
BDBLCS3A3	BDBLCS3A3FS	1	12	#6 - 350	#14 - #4	3	9.09	5.54	4.12	310	100kA
BDBLCS3AA	-	1	12	#6 - 350	#14 - #4	Adder	3.05	5.54	4.12	310	100kA
BDBLCS3K1	BDBLCS3K1FS	1	6	#6 - 350	#14 - 2/0	1	3.25	5.54	4.12	310	100kA
BDBLCS3K2	BDBLCS3K2FS	1	6	#6 - 350	#14 - 2/0	2	6.17	5.54	4.12	310	100kA
BDBLCS3K3	BDBLCS3K3FS	1	6	#6 - 350	#14 - 2/0	3	9.09	5.54	4.12	310	100kA
BDBLCS3KA	-	1	6	#6 - 350	#14 - 2/0	Adder	3.05	5.54	4.12	310	100kA

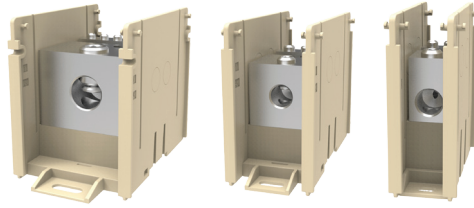
*Optional Hinged Covers available for Open Style 1, 2, and 3 pole configurations (order 1 cover per pole).

¹ with proper fusing

† Passed UL Current Cycling and SCCR testing - UL Listing is pending finalized Mechanical testing

VERSIPOLE™

(Continued)



Open Style

Catalog Number		# of Conductors		Wire Range		# of Poles	Dimensions			Amp Rating per Pole	SCCR ¹
Open Style*	Finger-Safe Style	Run	Tap	Run	Tap		W	D	H		
BDBLCS5K1 †	BDBLCS5K1FS †	1	6	#4 - 500	#14 - 2/0	1	3.25	5.54	4.12	380	100kA
BDBLCS5K2 †	BDBLCS5K2FS †	1	6	#4 - 500	#14 - 2/0	2	6.17	5.54	4.12	380	100kA
BDBLCS5K3 †	BDBLCS5K3FS †	1	6	#4 - 500	#14 - 2/0	3	9.09	5.54	4.12	380	100kA
BDBLCS5KA †	-	1	6	#4 - 500	#14 - 2/0	Adder	3.05	5.54	4.12	380	100kA
BDBLCS5W1 †	BDBLCS5W1FS †	1	1	#4 - 500	#4 - 500	1	3.25	5.54	4.12	380	100kA
BDBLCS5W2 †	BDBLCS5W2FS †	1	1	#4 - 500	#4 - 500	2	6.17	5.54	4.12	380	100kA
BDBLCS5W3 †	BDBLCS5W3FS †	1	1	#4 - 500	#4 - 500	3	9.09	5.54	4.12	380	100kA
BDBLCS5WA †	-	1	1	#4 - 500	#4 - 500	Adder	3.05	5.54	4.12	380	100kA
BDBLCS4K1	BDBLCS4K1FS	2	6	#6 - 350	#14 - 2/0	1	3.25	5.54	4.12	620	100kA
BDBLCS4K2	BDBLCS4K2FS	2	6	#6 - 350	#14 - 2/0	2	6.17	5.54	4.12	620	100kA
BDBLCS4K3	BDBLCS4K3FS	2	6	#6 - 350	#14 - 2/0	3	9.09	5.54	4.12	620	100kA
BDBLCS4KA	-	2	6	#6 - 350	#14 - 2/0	Adder	3.05	5.54	4.12	620	100kA
BDBLCS4T1	BDBLCS4T1FS	2	2	#6 - 350	#6 - 350	1	3.25	5.54	4.12	620	100kA
BDBLCS4T2	BDBLCS4T2FS	2	2	#6 - 350	#6 - 350	2	6.17	5.54	4.12	620	100kA
BDBLCS4T3	BDBLCS4T3FS	2	2	#6 - 350	#6 - 350	3	9.09	5.54	4.12	620	100kA
BDBLCS4TA	-	2	2	#6 - 350	#6 - 350	Adder	3.05	5.54	4.12	620	100kA
BDBLCS6A1 †	BDBLCS6A1FS †	2	12	#4 - 500	#14 - #4	1	3.25	5.54	4.12	760	100kA
BDBLCS6A2 †	BDBLCS6A2FS †	2	12	#4 - 500	#14 - #4	2	6.17	5.54	4.12	760	100kA
BDBLCS6A3 †	BDBLCS6A3FS †	2	12	#4 - 500	#14 - #4	3	9.09	5.54	4.12	760	100kA
BDBLCS6AA †	-	2	12	#4 - 500	#14 - #4	Adder	3.05	5.54	4.12	760	100kA
BDBLCS6K1 †	BDBLCS6K1FS †	2	6	#4 - 500	#14 - 2/0	1	3.25	5.54	4.12	760	100kA
BDBLCS6K2 †	BDBLCS6K2FS †	2	6	#4 - 500	#14 - 2/0	2	6.17	5.54	4.12	760	100kA
BDBLCS6K3 †	BDBLCS6K3FS †	2	6	#4 - 500	#14 - 2/0	3	9.09	5.54	4.12	760	100kA
BDBLCS6KA †	-	2	6	#4 - 500	#14 - 2/0	Adder	3.05	5.54	4.12	760	100kA
BDBLCS6R1 †	BDBLCS6R1FS †	2	4	#4 - 500	#6 - 4/0	1	3.25	5.54	4.12	760	100kA
BDBLCS6R2 †	BDBLCS6R2FS †	2	4	#4 - 500	#6 - 4/0	2	6.17	5.54	4.12	760	100kA
BDBLCS6R3 †	BDBLCS6R3FS †	2	4	#4 - 500	#6 - 4/0	3	9.09	5.54	4.12	760	100kA
BDBLCS6RA †	-	2	4	#4 - 500	#6 - 4/0	Adder	3.05	5.54	4.12	760	100kA
BDBLCS6V1 †	BDBLCS6V1FS †	2	2	#4 - 500	#4 - 500	1	3.25	5.54	4.12	760	100kA
BDBLCS6V2 †	BDBLCS6V2FS †	2	2	#4 - 500	#4 - 500	2	6.17	5.54	4.12	760	100kA
BDBLCS6V3 †	BDBLCS6V3FS †	2	2	#4 - 500	#4 - 500	3	9.09	5.54	4.12	760	100kA
BDBLCS6VA †	-	2	2	#4 - 500	#4 - 500	Adder	3.05	5.54	4.12	760	100kA

*Optional Hinged Covers available for Open Style 1, 2, and 3 pole configurations (order 1 cover per pole).

¹ with proper fusing

† Passed UL Current Cycling and SCCR testing - UL Listing is pending finalized Mechanical testing

Optional Hinged Covers:	
Catalog Number	Size
BDBSCCOVER	Small
BDBMCOVER	Medium
BDBLCOVER	Large